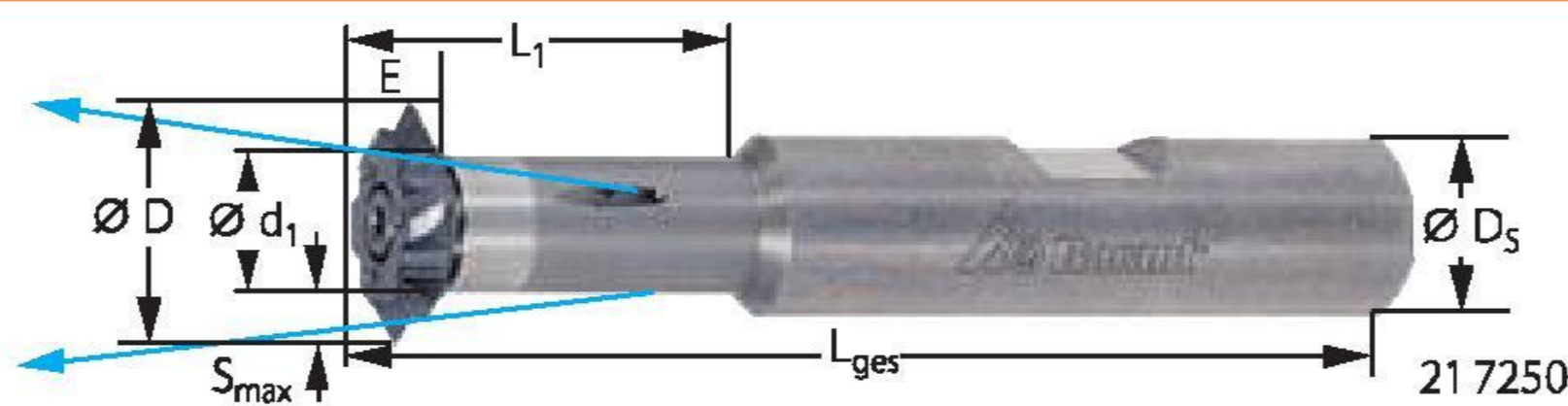


Free Download



[Download Sumita Arora Informatics Practices Class 11 394](#)



Hinweis: Polygon-Fräsplatten Typ P12 / P16 / P26 Nr. 21 7255 – 21 7295.

kleinster Bohr-Ø/M	Zirkularfräser			Typ	Ø d ₁	S _{max}	E	L ₁	L _{ges}	Ø D ₅ h6	Schaftausführung	Spannschrauben-Set
	210 21 7250	210 21 7252	210 21 7253									
mm	Stahl	Hartmetall	mit Gewinde Stahl		mm	mm	mm	mm	mm	mm		
12	111,-	—	—	P12	7	2,25	2	22	69,5	12	Weldon	21 9832 (8IP; 1,0 Nm)
12L	—	181,50	—	P12	7	2,25	2	32	82	12	zylindrisch	21 9832 (8IP; 1,0 Nm)
12/M5	—	—	146,-	P12	9,5	1,1	3	—	13,5	—	mit Gewinde	21 9832 (8IP; 1,0 Nm)
18	111,-	172,-	—	P16	9	4	3,5	25	71,5	12	Weldon	21 9818 (8IP; 1,2 Nm)
18L	—	168,50	—	P16	12	2,7	3,5	—	86,5	12	zylindrisch	21 9818 (8IP; 1,2 Nm)
18XL	—	219,-	—	P16	12	2,7	3,5	—	126,6	12	zylindrisch	21 9818 (8IP; 1,2 Nm)
18/M6	—	—	146,-	P16	11	2,5	3	—	18,5	—	mit Gewinde	21 9818 (8IP; 1,2 Nm)
27	114,-	—	—	P26	13,6	6,8	4	35	84,2	16	Weldon	21 9819 (20IP; 5,5 Nm)
27L	—	206,-	—	P26	15,5	5,7	4	25	109,6	16	zylindrisch	21 9819 (20IP; 5,5 Nm)
27XL	—	343,-	—	P26	15,5	5,7	4	25	180	20	zylindrisch	21 9819 (20IP; 5,5 Nm)
27/M8	—	—	154,50	P26	13,6	5,7	4	—	22,6	—	mit Gewinde	21 9819 (20IP; 5,5 Nm)
27/M10	—	—	154,50	P26	18	3,5	4	—	22,6	—	mit Gewinde	21 9819 (20IP; 5,5 Nm)

new

new

Hinweis: Polygon-Fräsplatten haben einen Spanwinkel von 6°.

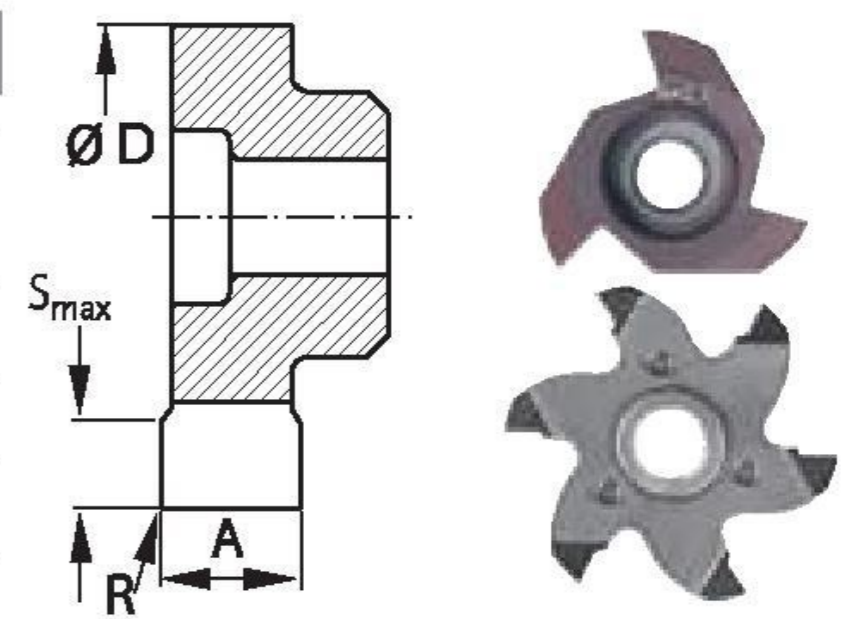


Eignung / v _c [m/min]	Alu Kunststoffe	Alu >10% Si	Alu Guss <500 N	Alu <750 N	Alu <900 N	Alu <1100 N	Alu <1400 N	Alu <55 HRC	Alu <60 HRC	Alu <67 HRC	INOX <900 N	INOX >900 N	Ti >850 N	GG(G)	CuZn	Graphit GFK CFK	Uni	max	min	Air
ISO-Code:	N	N	N	P	P	P	P	H	H	H	M	M	S	K	N	N				
21 7255–7298 –	400	300	250	250	180	120	100	80	60	45	30	120	120	60	120					

Fräsplatten ohne Profil, einsatzfertig geschliffen

Typ P12 / P16 / P26

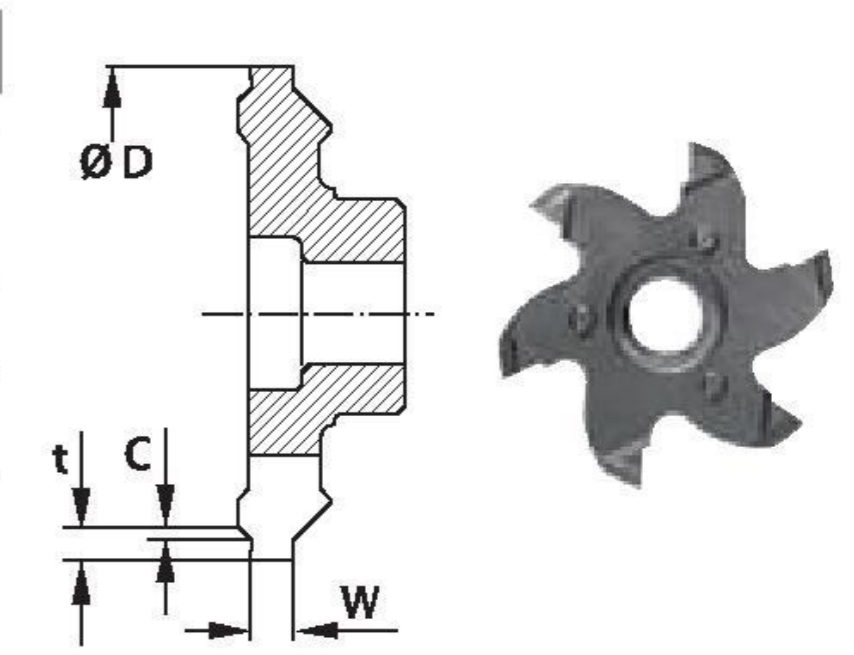
Fräsbreite A	mm	1,5	2	2,5	3	4	5	6,5	Ø D mm	S _{max} mm	Typ	Typ	
21 7255	HB 7720	30,30	30,30	31,20	31,20	—	—	—	3	11,7	2,25	P12	3
21 7256	HB 7720	—	—	—	42,10	44,50	45,70	—	3	16	3,5	P16	6
21 7258	HB 7720	—	—	—	44,50	46,70	—	47,90	3	26	5,7	P26	6
Radius R	mm	0,1											



Fräsplatten für Sicherungsnuten, mit Kantenbruch

Typ P16 / P26

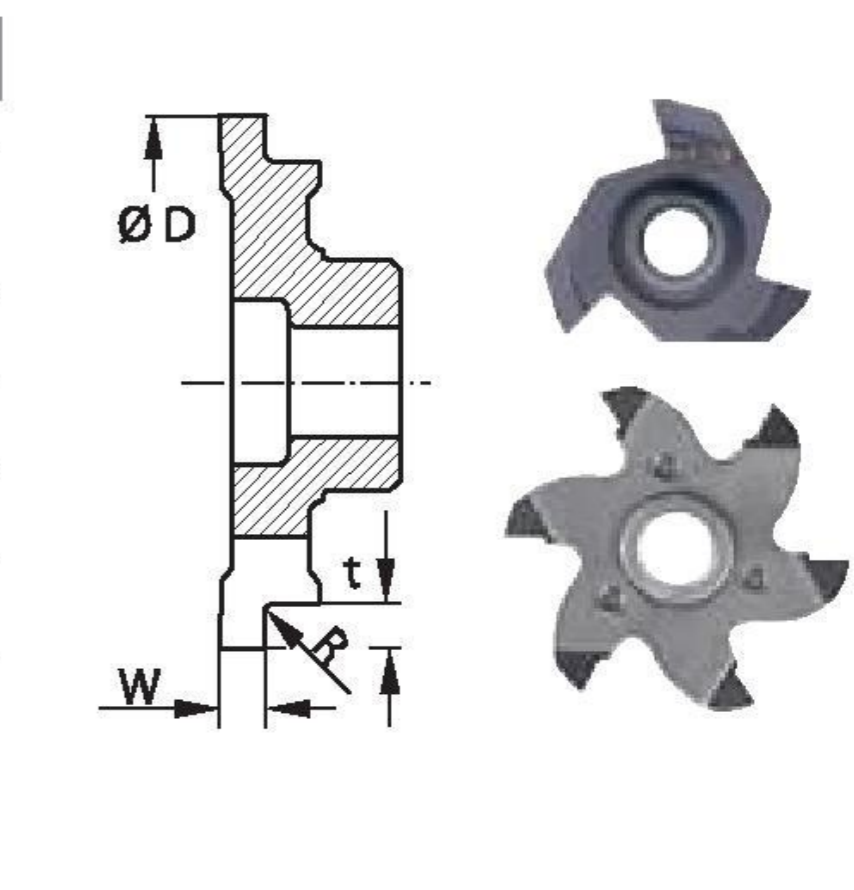
Nennmaß Ringstärke	mm	1,3	1,6	1,85	2,15	Ø D mm	Typ	Typ	
21 7261	HB 7720	44,20	44,20	—	—	3	16	P16	6
21 7265	HB 7720	—	—	47,50	47,50	3	26	P26	6
Nutbreite W – 0,03	mm	1,38	1,68	1,93	2,23				
Tiefe t	mm	0,85	1	1,25	1,50				
Fase C	mm	0,15×45°		0,2×45°					



Fräsplatten für Sicherungsnuten, ohne Kantenbruch

Typ P12 / P16 / P26

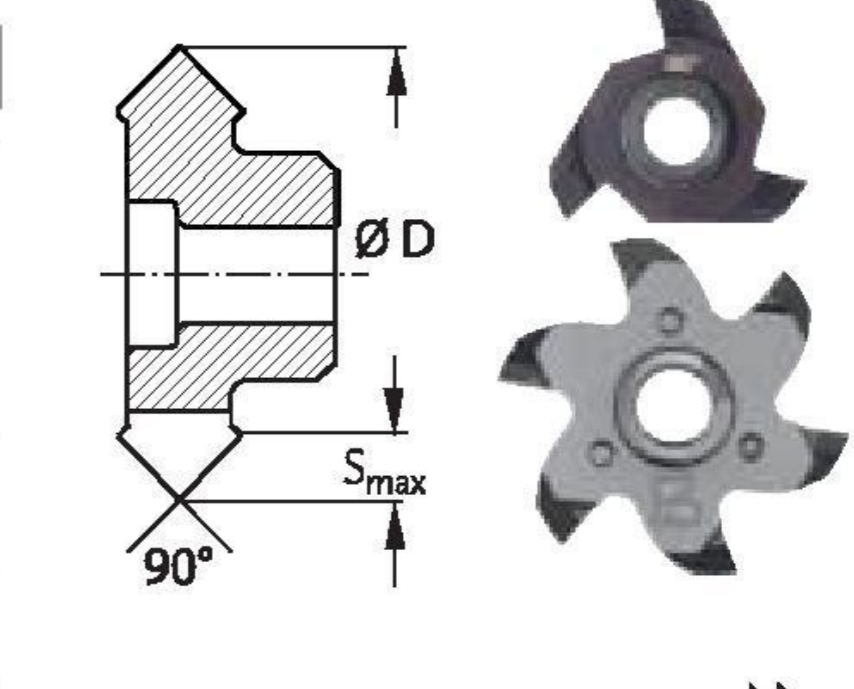
Nennmaß Ringstärke	mm	0,9	1,1	1,3	1,6	2,15	2,65	3,15	Ø D mm	Typ	Typ	
21 7267	HB 7720	30,30	—	—	—	—	—	—	3	9,6	P12	3
21 7269	HB 7720	—	28,90	28,90	28,90	—	—	—	3	11,7	P12	3
21 7270	HB 7720	—	—	40,10	40,10	—	—	—	3	16	P16	6
21 7275	HB 7720	—	—	—	—	43,70	43,70	43,70	3	26	P26	6
Nutbreite W – 0,03	mm	0,98	1,18	1,38	1,68	2,23	2,73	3,23				
Tiefe t für P12 (21 7267, 21 7269)	mm	1,20	1	1	1	—	—	—				
Tiefe t für P16 / P26 (21 7270, 21 7275)	mm	—	—	1,1	1,25	1,75	1,75	2,2				
Radius R	mm	0,3										



Fräsplatten 90° zum Anfasen und Entgraten

Typ P12 / P16 / P26

maximale Frästiefe S _{max}	mm	21 7277	Ø D	Mindestkernloch-Ø	Typ	Typ
		Fräsplatte 90° zum Anfasen / Entgraten				
		HB 7720	mm	mm		mm
1,2	28,90	3	9,6	12	P12	3
1,5	28,90	3	11,7	12	P12	3
1,9	43,30	3	16	18	P16	6
2,1	47,50	3	26	28	P26	6



Free Download



Free Download

Download sumita arora book ___ https://youtu.be/_ztgXzCQ1jIDue to technical issues I have delete whole PDF ... Page 1. Download Informatics practices sumita arora solutions class 11.. I am happy to release Part-1 of Computer Science Book for Class - XI.. cbse nic in, sumita arora informatics practices class 12 pdf linoavideos, ... class 11 pdf, download sumita arora informatics practices class 11 394, sumita arora 5, Mediterranean oak woodland working landscapes, 394\$, 2018. 6, Chinese civil ... Download Sumita Arora Informatics Practices Class 11 Pdf ...

Marking Scheme of Sample Question Paper 21. Informatics Practices By Sumita Arora Class 11 Free Download. A FREE account gives you Join Computer Science PYTHON and IP Class 12 telegram group ... python book pdf Class 12 sumita Arora Sumita Arora Computer Science Class Xii.pdf Free Download Here Solved ... INFORMATICS PRACTICES CLASS 11 SUMITA ARORA PDF ...

sumita arora informatics practices class 12 pdf

sumita arora informatics practices class 12 pdf, sumita arora informatics practices class 12 textbook pdf download, sumita arora informatics practices class 11 pdf, sumita arora informatics practices class 11, sumita arora informatics practices class 12 textbook pdf, sumita arora informatics practices class 12, sumita arora informatics practices class 12 solutions, sumita arora informatics practices class 11 solutions, sumita arora informatics practices class 11 pdf free download, sumita arora informatics practices class 12 pdf download

Sumita Arora Class Xi Computer Science With Python PDF - Free ebook download as ... Download as PDF or read online from Scribd ... Confidentiality of Information 2151 Practices to Ensure Confidentiality of Information 589 216 ... 593 218.2 Wiat You skound do Usage Rules 394 221 ONLINE Access AND ... April 20th, 2019 - Download Sumita Arora Informatics Practices Class 11 Pdf short com lodavutradrave. Sumita Arora Books Store Online Flipkart com. April 11th ... Class 11 IP Best Book Cbse ISC CS Best Sumita Arora Book PDF Download ... Class 11 Download Sumita Arora with python Informatics Practices (IP) Class ...

sumita arora informatics practices class 11 pdf

A Text Book on Informatics Practices (Class XI).Sumita arora ip class 12 pdf free download - files from. About sumita arora ip class 12 pdf free How can I download the RS Aggarwal maths book for class 7 in PDF for free? ... "python and Information Practices computer books by Sumita Arora ". U will get ...

sumita arora informatics practices class 12 textbook pdf

Download Sumita Arora Informatics Practices Class 11 394 -- DOWNLOAD. 4bbbd60035 Save on Dell's High PerformanceDesktops w/ Intel This book will prove helpful to students of class XI and XII, affiliated to "Central ... Sumita arora informatics practices class 12 pdf free download. 3585374d24